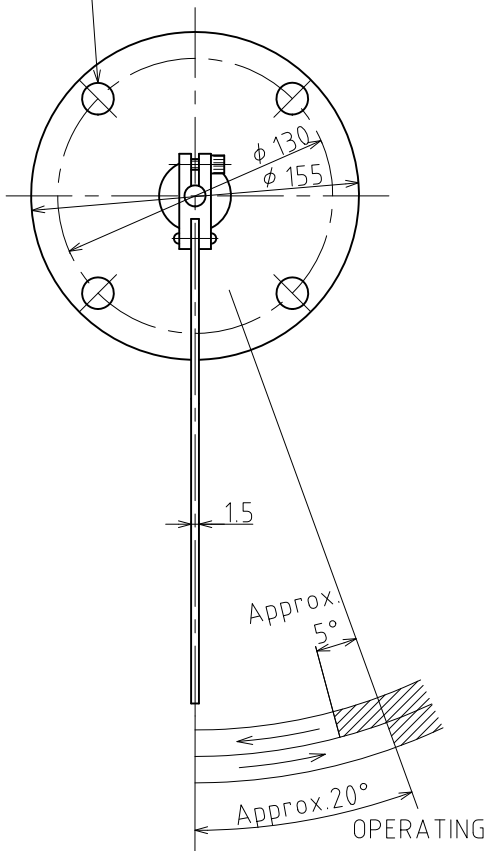


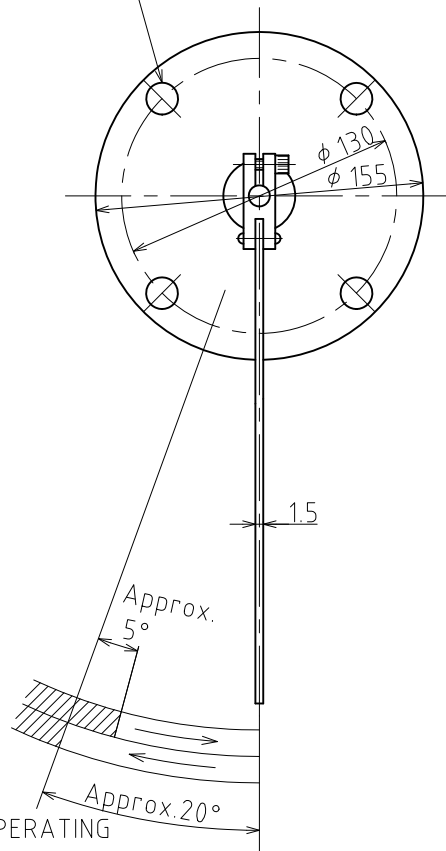
《COUNTERCLOCK ACTION》
15DIA
4HOLES



PADDLE NORMAL STOP POSITION

OPERATING POINT

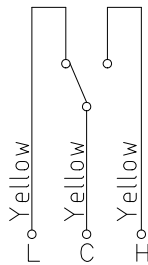
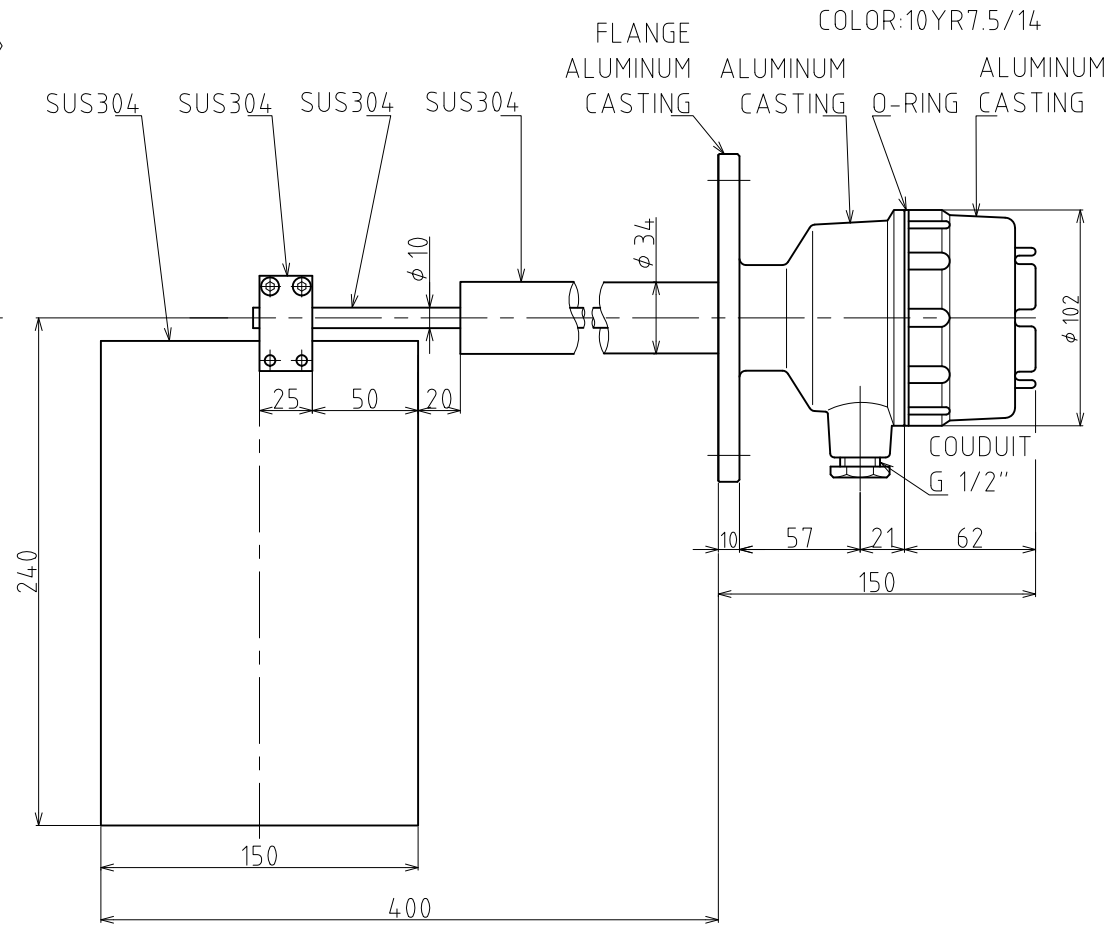
《CLOCKWISE ACTION》
15DIA
4HOLES



PADDLE NORMAL STOP POSITION

OPERATING POINT

※Conveyer flow switch includes the clockwise action type and counterclock action type. Please check your company's specifications.



CONTACT CAPACITY AC250V 10A RESISTANCE LOAD

- between terminals C and L : ON
- between terminals C and H : OFF
- between terminals C and L : OFF
- between terminals C and H : ON

Q'ty:

図番 CHANGE NOTICE	承認 APPROVED	検図 CHECKED	製図 DRAWN ohno	名称 TITLE PA-1 FLOW SWITCH
	第三角法 THIRD ANGLE PROJECTION	尺度 SCALE 1:2.5	日付 DATE Mar,1,2016	図面番号 DRG. No. HY-5430
東和制電工業株式会社 TOWA SEIDEN INDUSTRIAL CO., LTD.				