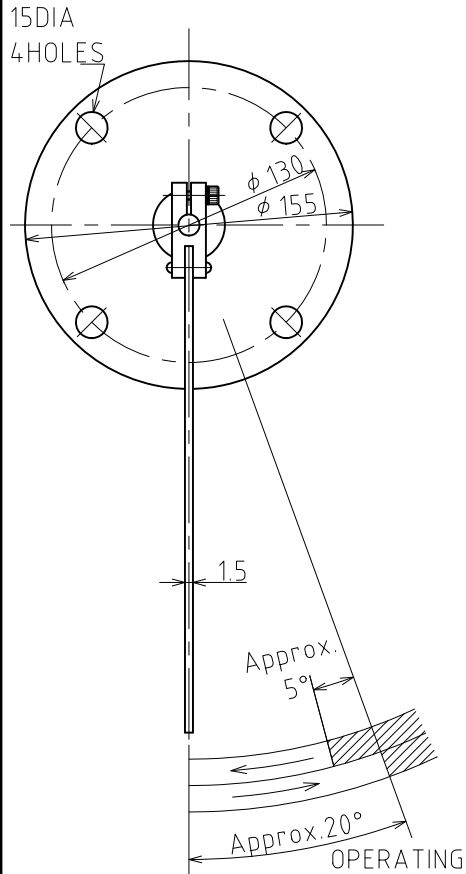
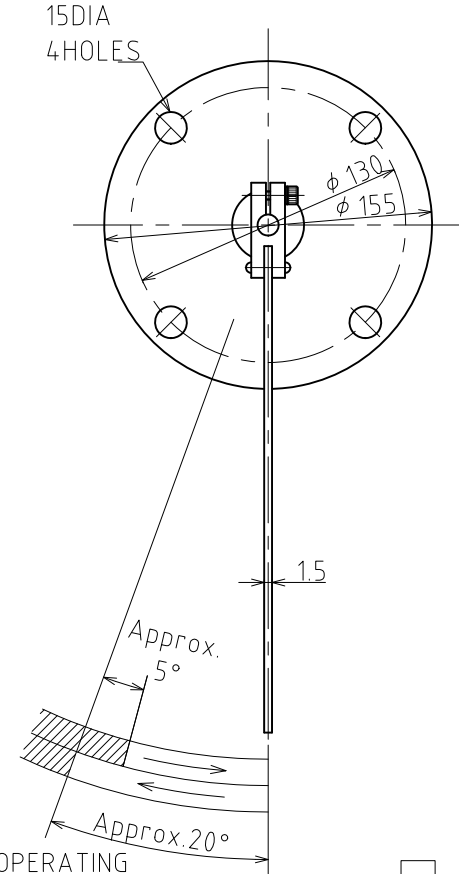


《COUNTERCLOCK ACTION》



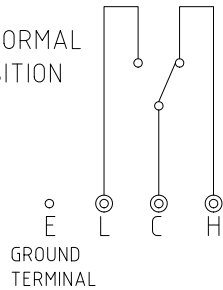
PADDLE NORMAL STOP POSITION  
OPERATING POINT

《CLOCKWISE ACTION》



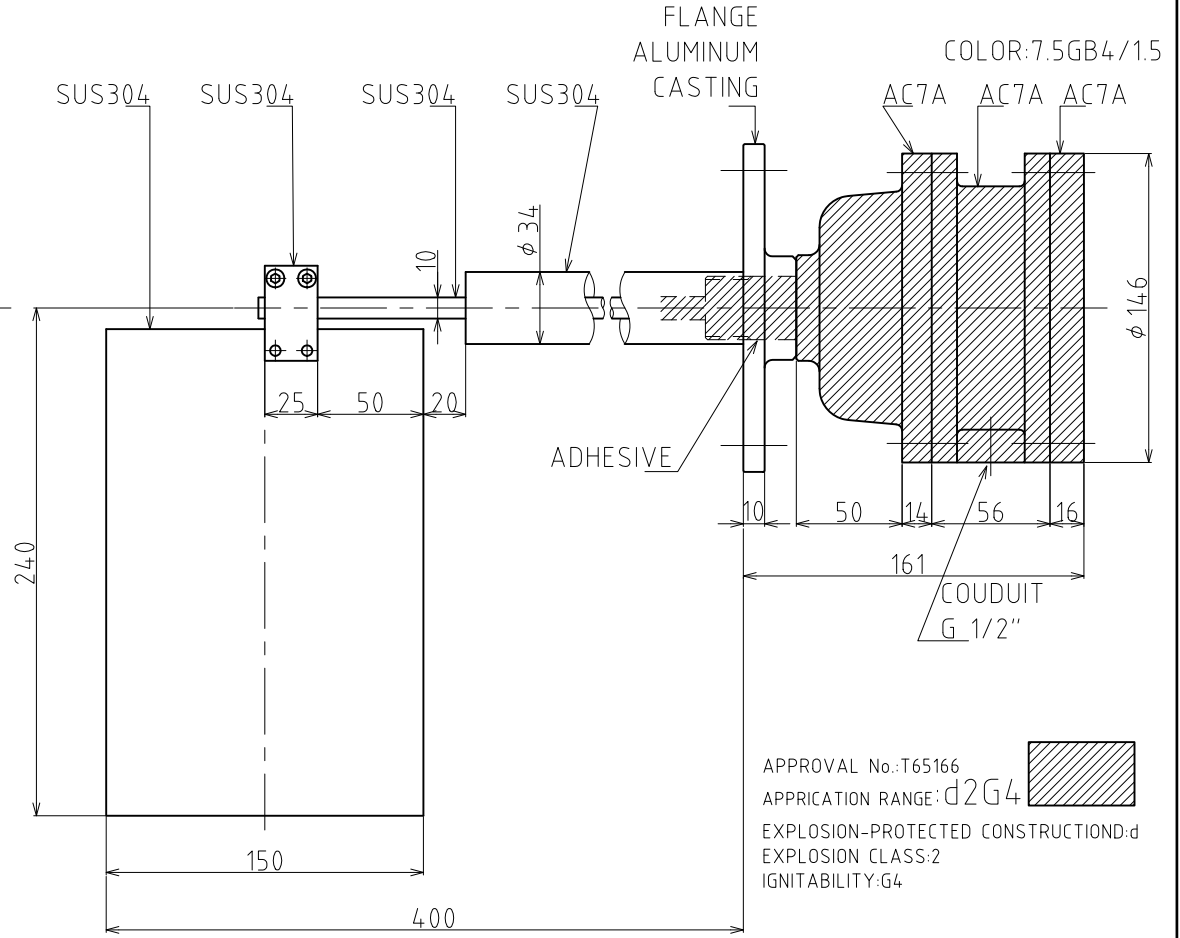
PADDLE NORMAL STOP POSITION  
OPERATING POINT

※Conveyer flow switch includes the clockwise action type and counterclock action type. Please check your company's specifications.



CONTACT CAPACITY  
AC250V 10A RESISTANCE LOAD

- between terminals C and L : ON
- between terminals C and H : OFF
- between terminals C and L : OFF
- between terminals C and H : ON



APPROVAL No.:T65166  
APPLICATION RANGE: d2G4   
EXPLOSION-PROTECTED CONSTRUCTION: d  
EXPLOSION CLASS: 2  
IGNITABILITY: G4

STRUCTURE OF DRAWING INTO THE TERMINAL BOX OF AN EXTERNAL WIRE  
CONDUIT FRAME-PROOF THREADS CONNECTION TYPE

PLEASE PRACTICE BASED ON "RECOMENDED PRACTICES FOR EXPROSION-PROTECTED ELECTRICAL INSTALLATIONS IN GENERAL INDUSTRIES" PUBLISHED BY THE NATIONAL INSTITUTE OF INDUSTRIAL SAFETY. ABOUT WIRING IN A TERMINAL BOX AND DRAWING INTO THE TERMINAL BOX OF AN EXTERNAL WIRE, GROUNDING ETC.

AMBIENT TEMPERATURE: -10~+40°C

Q'ty:

図番 CHANGE NOTICE	承認 APPROVED	検図 CHECKED	製図 DRAWN ohno	名称 TITLE PA-1E FLOW SWITCH
	第三角法 THIRD ANGLE PROJECTION	尺度 SCALE 1:2.5	日付 DATE Mar, 1, 2016	図面番号 DRG. No. HY-3131
東和制電工業株式会社 TOWA SEIDEN INDUSTRIAL CO., LTD.				