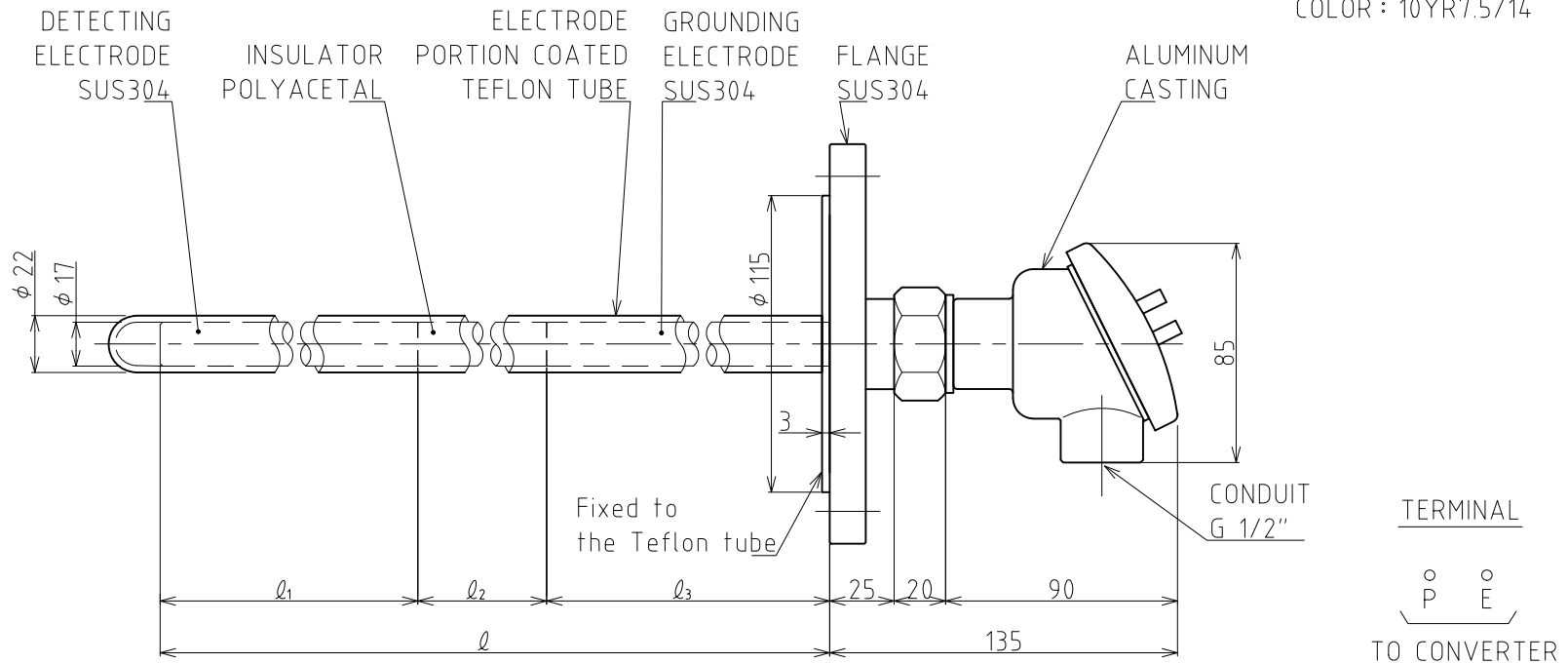


COLOR : 10YR7.5/14



TERMINAL  
 P E  
 TO CONVERTER

FLANGE	JIS5K 65A
MATERIAL	SUS304
OUTSIDE DIAMETER	φ 155
DIAMETER OF BOLT CIRCLE	φ 130
DIAMETER OF BOLT HOLES	φ 15
NUMBER OF BOLT HOLES	4
THICKNESS	14

MODEL	l	l <sub>1</sub>	l <sub>2</sub>	l <sub>3</sub>	NOTE	Q'ty	MODEL	l	l <sub>1</sub>	l <sub>2</sub>	l <sub>3</sub>	NOTE	Q'ty
TSS-A8FA-025	250	100	50	100			TSS-A8FA-065	650	150	50	450		
TSS-A8FA-030	300	100	50	150			TSS-A8FA-070	700	150	50	500		
TSS-A8FA-035	350	100	50	200			TSS-A8FA-075	750	150	50	550		
TSS-A8FA-040	400	100	50	250			TSS-A8FA-080	800	150	50	600		
TSS-A8FA-045	450	100	50	300			TSS-A8FA-085	850	150	50	650		
TSS-A8FA-050	500	100	50	350			TSS-A8FA-090	900	150	50	700		
TSS-A8FA-055	550	150	50	350			TSS-A8FA-095	950	150	50	750		
TSS-A8FA-060	600	150	50	400			TSS-A8FA-100	1000	150	50	800		

○ (Required length)

○ (Required length)

Attention:Teflon tube does not have fixed only covered.

a reduced drawing (A3size~)

Q'ty:

図曆 CHANGE NOTICE 承認 APPROVED 検図 CHECKED 製図 DRAWN takahashi	第三角法 THIRD ANGLE PROJECTION	尺度 SCALE 1:2	日付 DATE Sep.14.2016	名称 TITLE TSS-A8FA-□ CAPACITANCE TYPE LEVEL SENSOR
				東和制電工業株式会社 TOWA SEIDEN INDUSTRIAL CO., LTD.
図面番号 DRG. No. HE-13021				