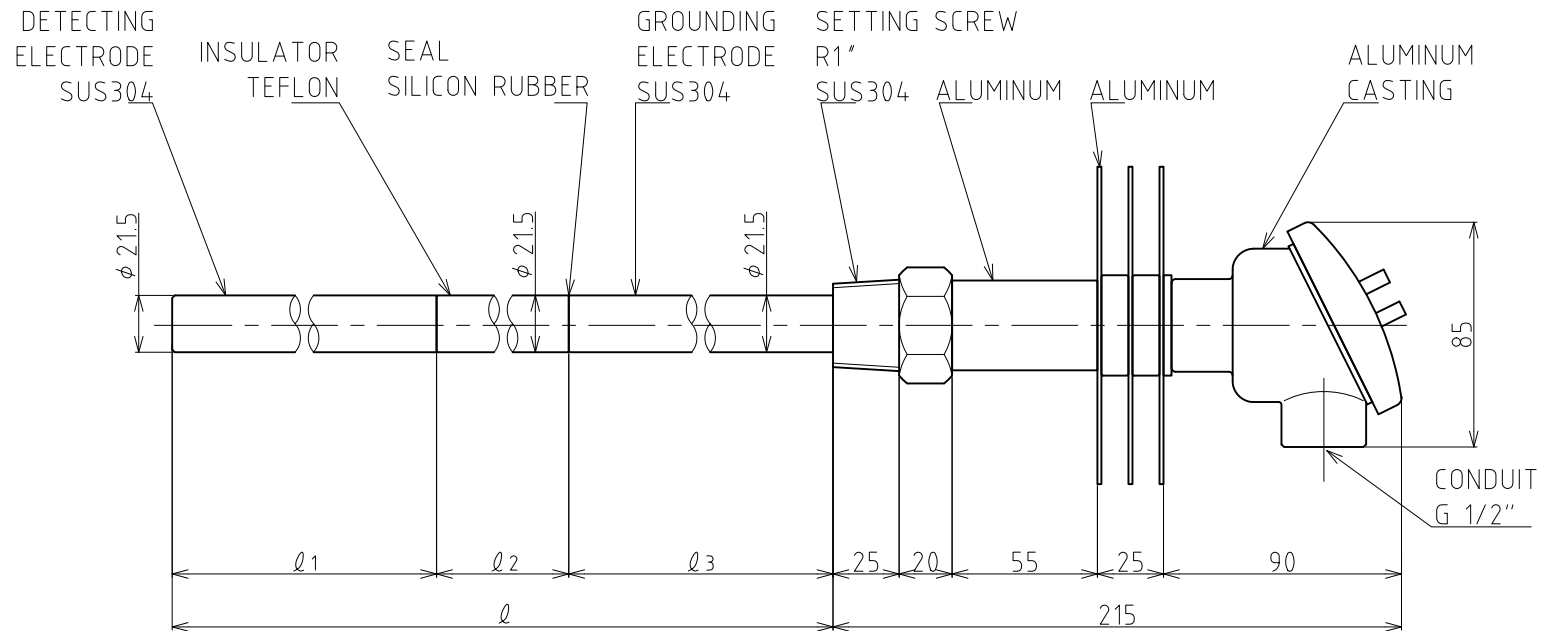


COLOR : 10YR7.5/14



TERMINAL
P E
TO CONVERTER

MODEL	l	l_1	l_2	l_3	NOTE	Q'ty	MODEL	l	l_1	l_2	l_3	NOTE	Q'ty
TSS-B1SA-025	250	100	50	100			TSS-B1SA-065	650	150	50	450		
TSS-B1SA-030	300	100	50	150			TSS-B1SA-070	700	150	50	500		
TSS-B1SA-035	350	100	50	200			TSS-B1SA-075	750	150	50	550		
TSS-B1SA-040	400	100	50	250			TSS-B1SA-080	800	150	50	600		
TSS-B1SA-045	450	100	50	300			TSS-B1SA-085	850	150	50	650		
TSS-B1SA-050	500	100	50	350			TSS-B1SA-090	900	150	50	700		
TSS-B1SA-055	550	150	50	350			TSS-B1SA-095	950	150	50	750		
TSS-B1SA-060	600	150	50	400			TSS-B1SA-100	1000	150	50	800		

○ (Required length)

○ (Required length)

a reduced drawing (A3size~)

Q'ty:

図曆 CHANGE NOTICE 承認 APPROVED 検図 CHECKED 製図 DRAWN takahashi 日付 DATE Sep.14.2016 東和制電工業株式会社 TOWA SEIDEN INDUSTRIAL CO., LTD.	TEMPERATURE IN THE TANK: max.150°C 名称 TITLE TSS-B1SA-□ CAPACITANCE TYPE LEVEL SENSOR 図面番号 DRG. No. HE-13022
第三角法 THIRD ANGLE PROJECTION 尺度 SCALE 1:2	東和制電工業株式会社 TOWA SEIDEN INDUSTRIAL CO., LTD.