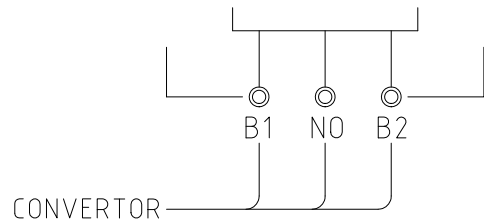
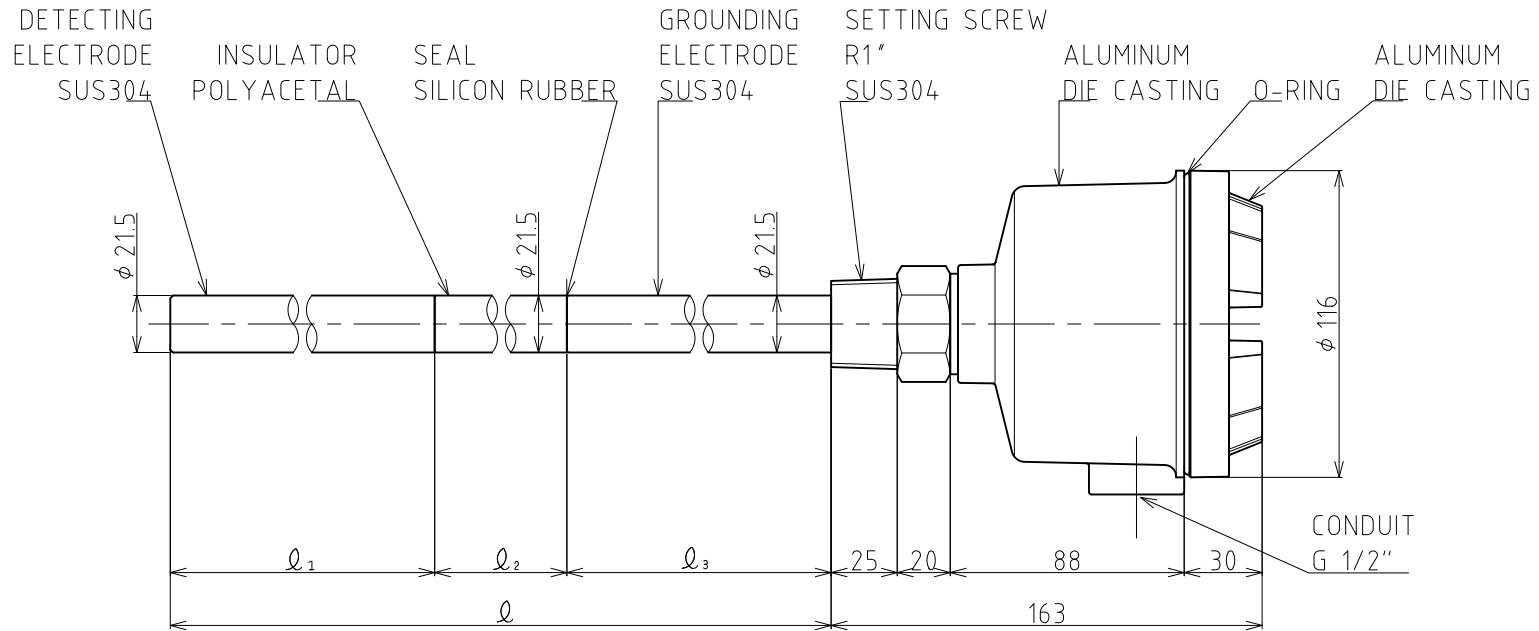


COLOR : 10YR7.5/14



MODEL	l	l <sub>1</sub>	l <sub>2</sub>	l <sub>3</sub>	NOTE	Q'ty	MODEL	l	l <sub>1</sub>	l <sub>2</sub>	l <sub>3</sub>	NOTE	Q'ty
TSE-A1SA-025	250	100	50	100			TSE-A1SA-065	650	150	50	450		
TSE-A1SA-030	300	100	50	150			TSE-A1SA-070	700	150	50	500		
TSE-A1SA-035	350	100	50	200			TSE-A1SA-075	750	150	50	550		
TSE-A1SA-040	400	100	50	250			TSE-A1SA-080	800	150	50	600		
TSE-A1SA-045	450	100	50	300			TSE-A1SA-085	850	150	50	650		
TSE-A1SA-050	500	100	50	350			TSE-A1SA-090	900	150	50	700		
TSE-A1SA-055	550	150	50	350			TSE-A1SA-095	950	150	50	750		
TSE-A1SA-060	600	150	50	400			TSE-A1SA-100	1000	150	50	800		

○ (Required length)

○ (Required length)

INTRINSIC SAFETY TYPE OF EXPLOSION-PROTECTION  
Explosion class and Ignition of explosive gases:ia3nG5

a reduced drawing (A3size~)

Q'ty:

図章 CHANGE NOTICE 承認 APPROVED 検図 CHECKED 製図 DRAWN takahashi 第三角法 THIRD ANGLE PROJECTION 尺度 SCALE 1:2 日付 DATE Sep,26,2016	名称 TITLE TSE-A1SA-□ CAPACITANCE TYPE LEVEL SENSOR 図面番号 DRG. No. HE-14014 <b>東和制電工業株式会社</b> TOWA SEIDEN INDUSTRIAL CO., LTD.
--	---