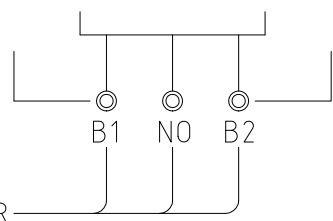
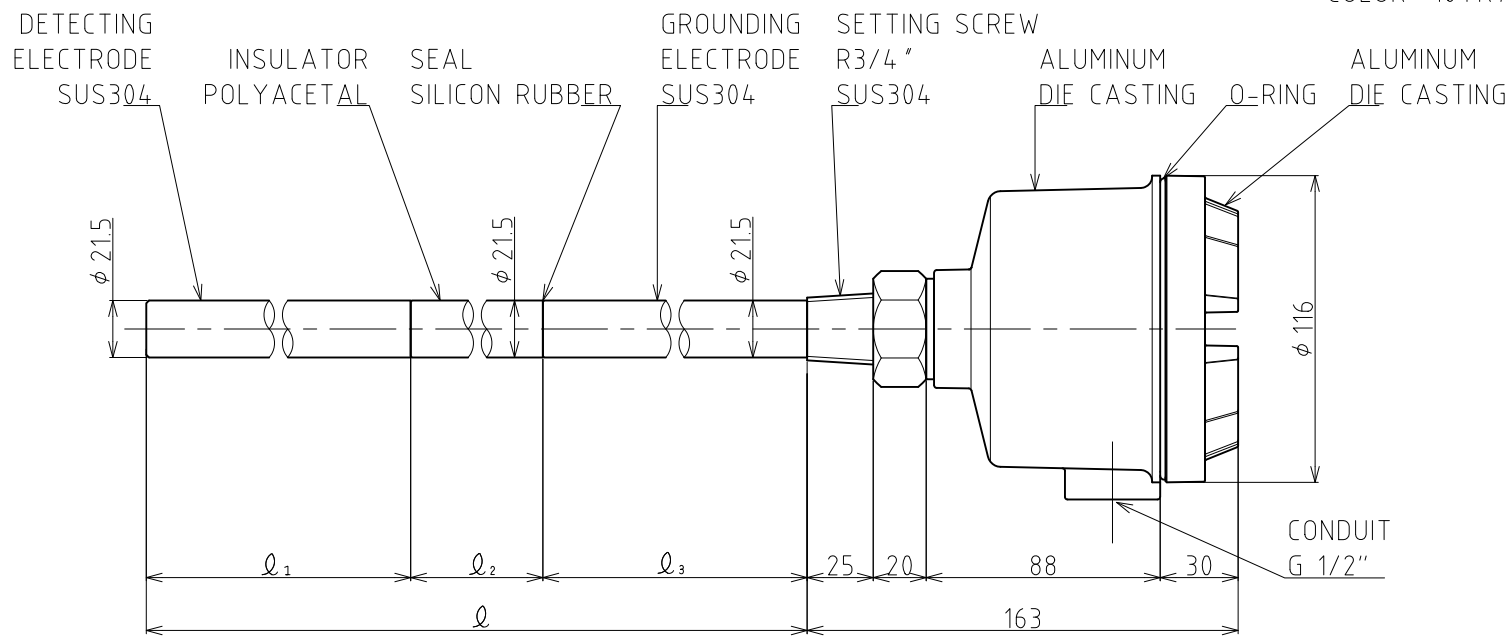


COLOR : 10YR7.5/14



CONVERTOR

| MODEL | l | l ₁ | l ₂ | l ₃ | NOTE | Q'ty | MODEL | l | l ₁ | l ₂ | l ₃ | NOTE | Q'ty |
|--------------|-----|----------------|----------------|----------------|------|------|--------------|------|----------------|----------------|----------------|------|------|
| TSE-A2SA-025 | 250 | 100 | 50 | 100 | | | TSE-A2SA-065 | 650 | 150 | 50 | 450 | | |
| TSE-A2SA-030 | 300 | 100 | 50 | 150 | | | TSE-A2SA-070 | 700 | 150 | 50 | 500 | | |
| TSE-A2SA-035 | 350 | 100 | 50 | 200 | | | TSE-A2SA-075 | 750 | 150 | 50 | 550 | | |
| TSE-A2SA-040 | 400 | 100 | 50 | 250 | | | TSE-A2SA-080 | 800 | 150 | 50 | 600 | | |
| TSE-A2SA-045 | 450 | 100 | 50 | 300 | | | TSE-A2SA-085 | 850 | 150 | 50 | 650 | | |
| TSE-A2SA-050 | 500 | 100 | 50 | 350 | | | TSE-A2SA-090 | 900 | 150 | 50 | 700 | | |
| TSE-A2SA-055 | 550 | 150 | 50 | 350 | | | TSE-A2SA-095 | 950 | 150 | 50 | 750 | | |
| TSE-A2SA-060 | 600 | 150 | 50 | 400 | | | TSE-A2SA-100 | 1000 | 150 | 50 | 800 | | |

○ (Required length)

○ (Required length)

INTRINSIC SAFETY TYPE OF EXPLOSION-PROTECTION
Explosion class and Ignition of explosive gases:ia3nG5

a reduced drawing (A3size~)

Q'ty:

| | | | | | |
|------------------------------------------------------------------------|-----------------------------------|-----------------|------------------------|---------------------------------------------------------|---------------------------|
| 図曆 CHANGE NOTICE 承認 APPROVED 検図 CHECKED 製図 DRAWN takahashi | 第三角法 THIRD ANGLE PROJECTION | 尺度 SCALE 1:2 | 日付 DATE Sep,26,2016 | 名称 TITLE TSE-A2SA-□ CAPACITANCE TYPE LEVEL SENSOR | 図面番号 DRG. No. HE-14016 |
| 東和制電工業株式会社 TOWA SEIDEN INDUSTRIAL CO., LTD. | | | | | |