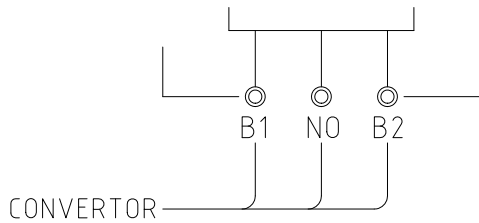
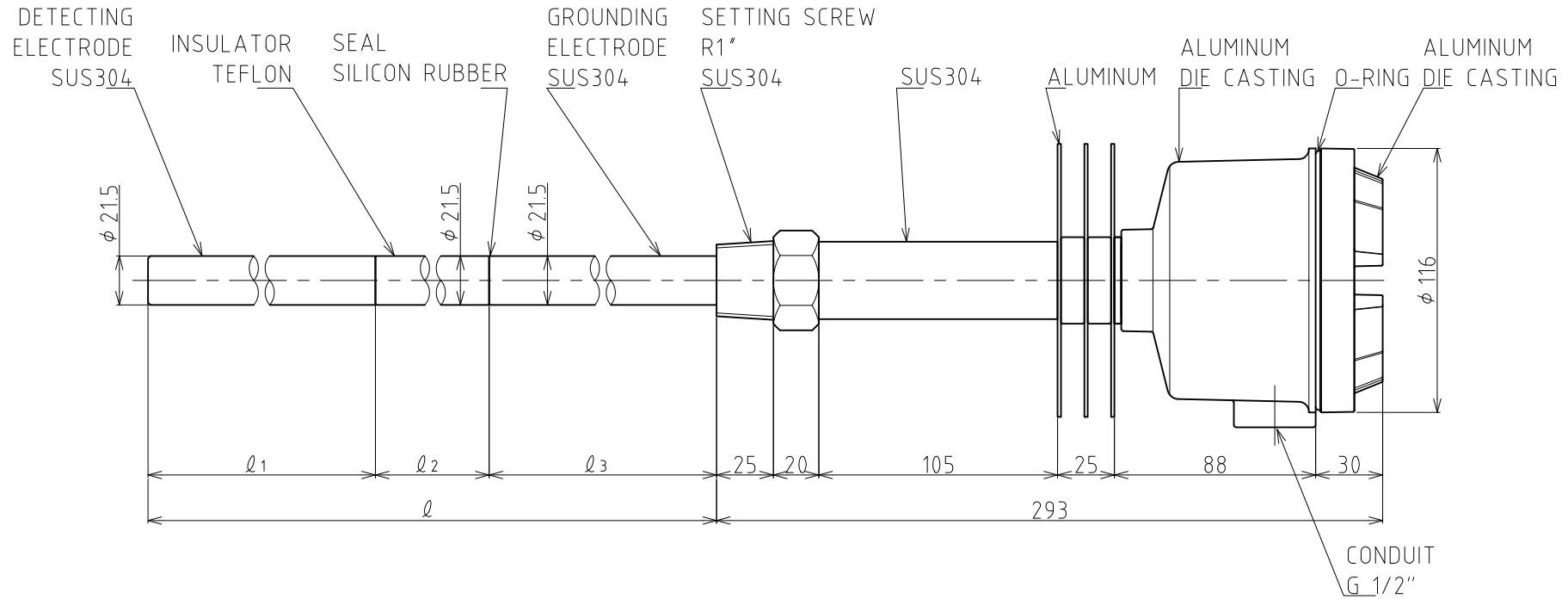


COLOR : 10YR7.5/14



	MODEL	ℓ	ℓ ₁	ℓ ₂	ℓ ₃	NOTE	Q'ty		MODEL	ℓ	ℓ ₁	ℓ ₂	ℓ ₃	NOTE	Q'ty
	TSE-C1SA-025	250	100	50	100				TSE-C1SA-065	650	150	50	450		
	TSE-C1SA-030	300	100	50	150				TSE-C1SA-070	700	150	50	500		
	TSE-C1SA-035	350	100	50	200				TSE-C1SA-075	750	150	50	550		
	TSE-C1SA-040	400	100	50	250				TSE-C1SA-080	800	150	50	600		
	TSE-C1SA-045	450	100	50	300				TSE-C1SA-085	850	150	50	650		
	TSE-C1SA-050	500	100	50	350				TSE-C1SA-090	900	150	50	700		
	TSE-C1SA-055	550	150	50	350				TSE-C1SA-095	950	150	50	750		
	TSE-C1SA-060	600	150	50	400				TSE-C1SA-100	1000	150	50	800		

↑ ○ (Required length)

↑ ○ (Required length)

INTRINSIC SAFETY TYPE OF EXPLOSION-PROTECTION
Explosion class and Ignition of explosive gases:ia3nG5

a reduced drawing (A3size~)

Q'ty:

<input type="checkbox"/> CHANGE NOTICE <input type="checkbox"/> <input type="checkbox"/>	承認 APPROVED 	検図 CHECKED 	製図 DRAWN takahashi 	TEMPERATURE IN THE TANK:max.200℃ 	名称 TITLE TSE-C1SA-□ CAPACITANCE TYPE LEVEL SENSOR
第三角法 THIRD ANGLE PROJECTION 	尺度 SCALE 1:2 	日付 DATE Sep,26,2016 	東和制電工業株式会社 TOWA SEIDEN INDUSTRIAL CO., LTD. 	図面番号 DRG. No. HE-14022 	